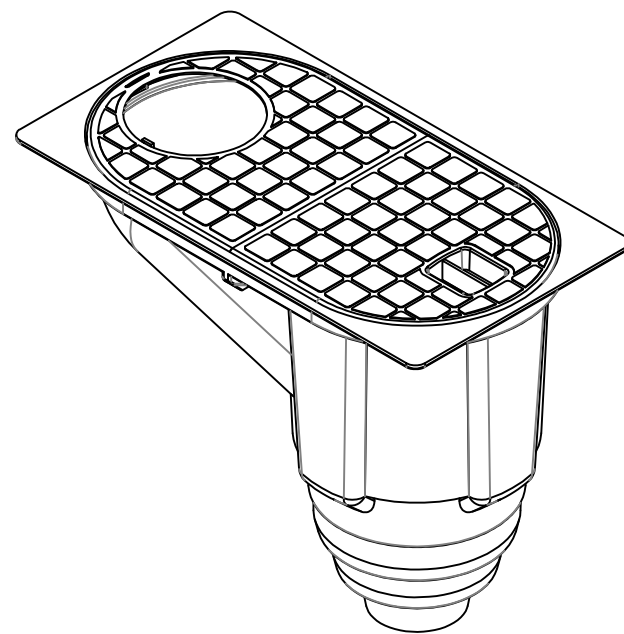
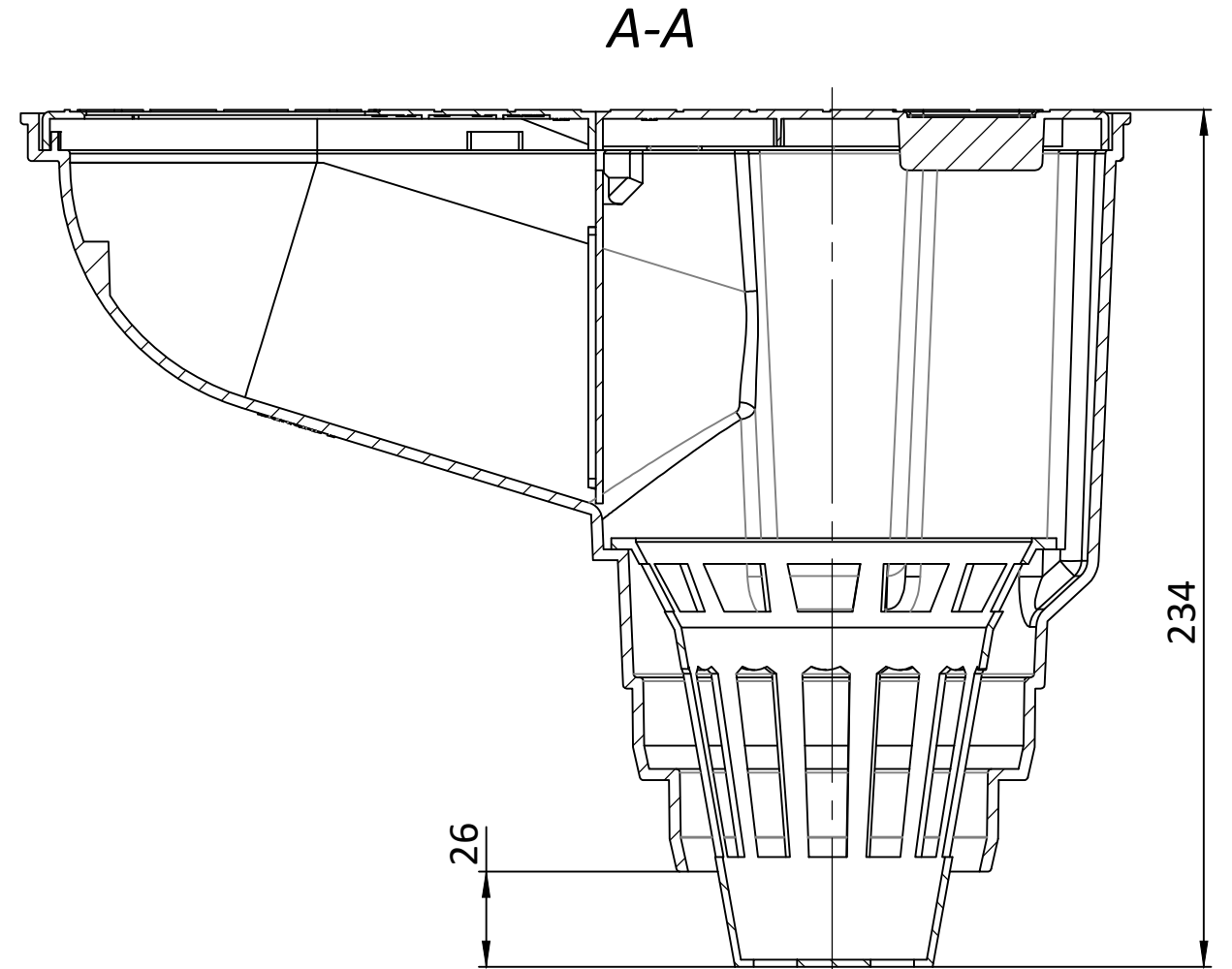
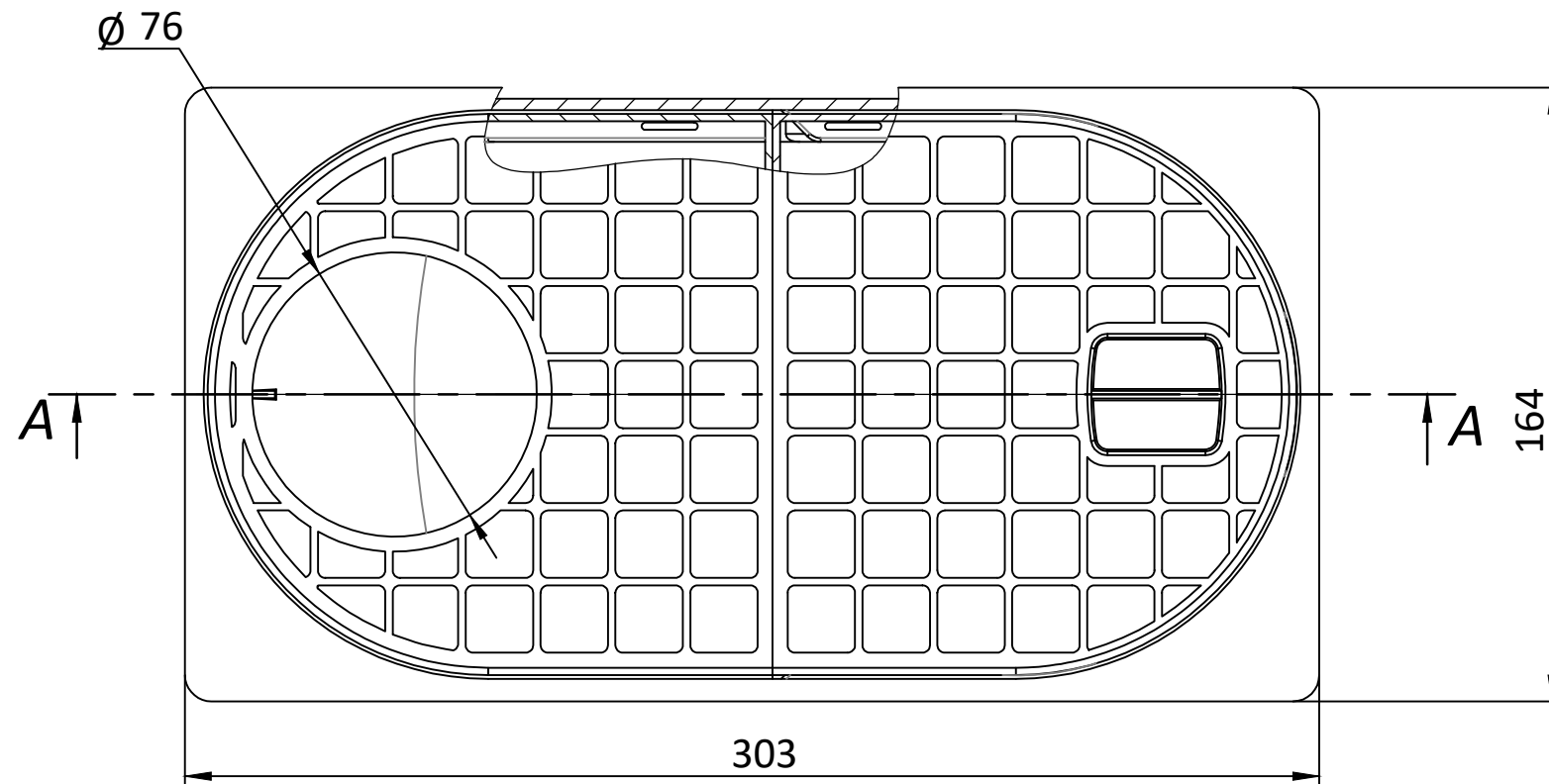



N-600/T8



Deviation of the actual weight of the nominal can be up to 10%

| | | | | | | | | |
|--|--|--|--|--|---|---|----------|-------|
| | | | | | Art. 817009 | | | |
| | | | | | Plastic Box with Vertical Gutter | | | |
| | | | | | 817009-N | Let. | Weight | Scale |
| | | | | | Load Class A | | 0.51 | 1:2 |
| | | | | | | Sheet | Sheets 1 | |
| | | | | | Plastic |  | | |