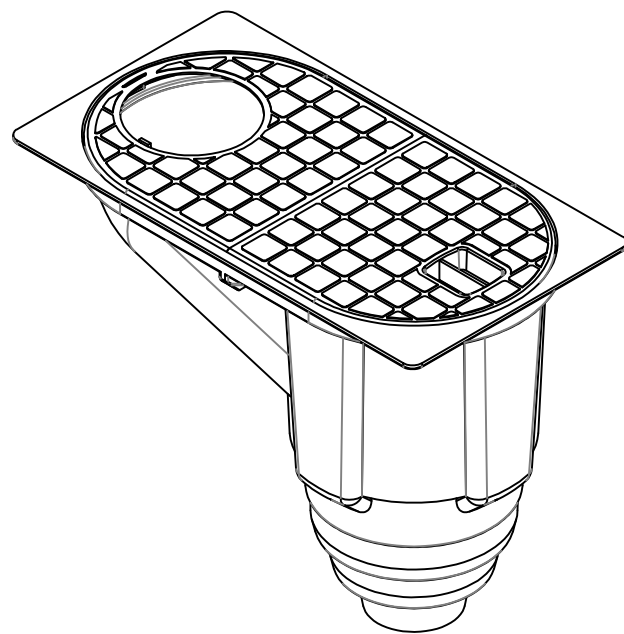
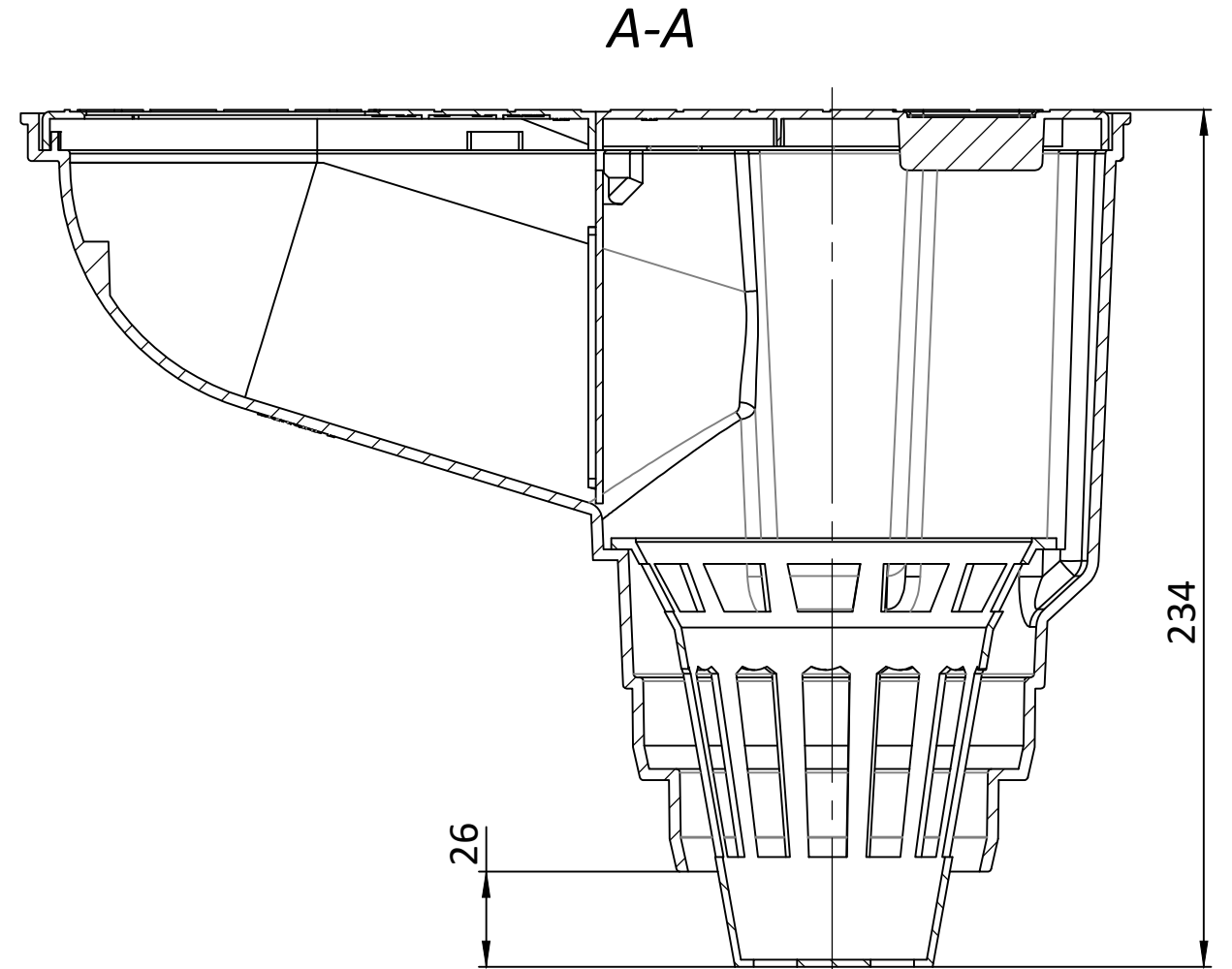
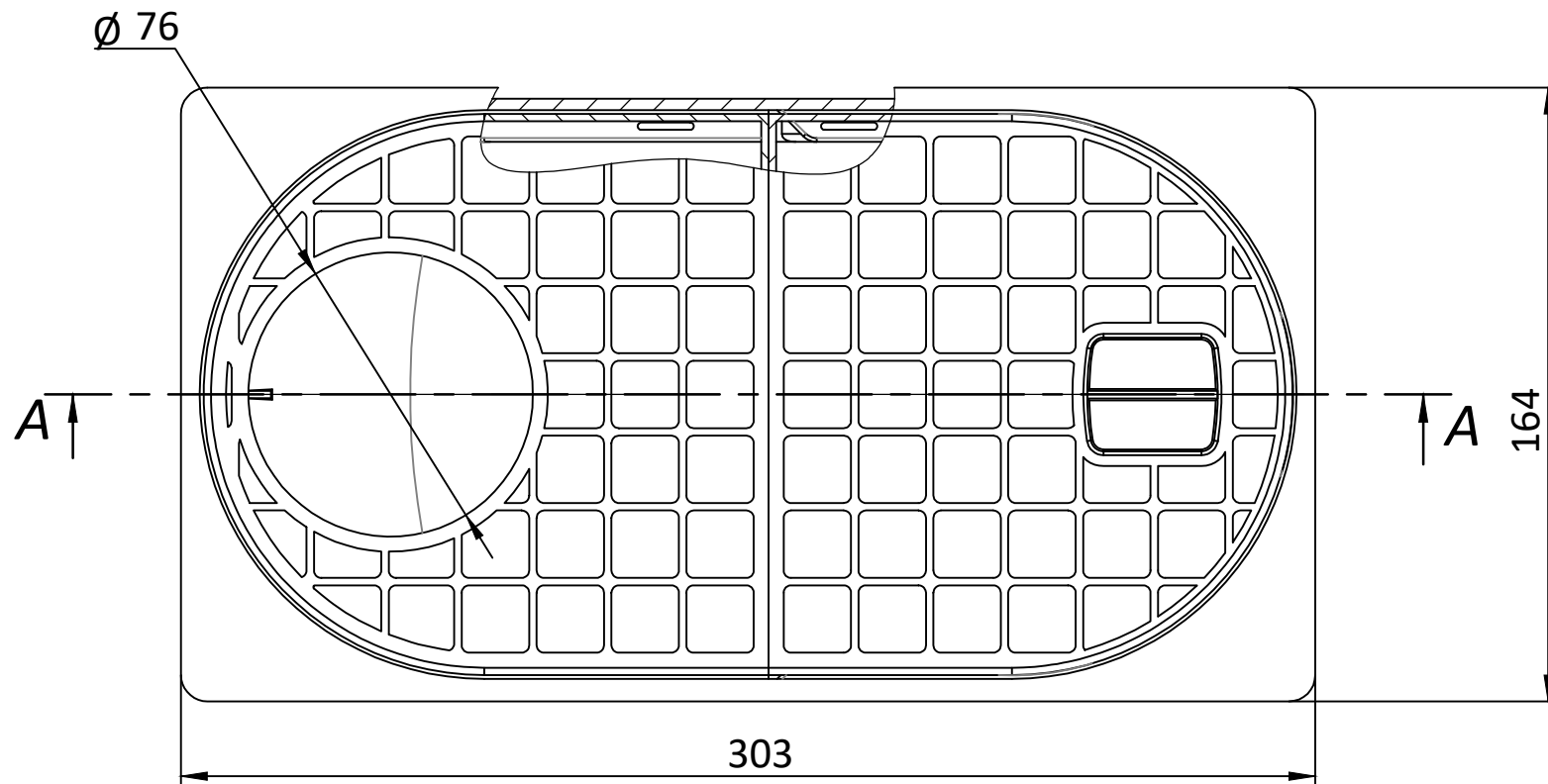



W-600/T8



Deviation of the actual weight of the nominal can be up to 10%

					Art. 817009		
					Plastic Box with Vertical Gutter		
					Let.	Weight	Scale
						0.51	1:2
					Sheet	Sheets 1	
					Plastic		
							

817009-M
Load Class A