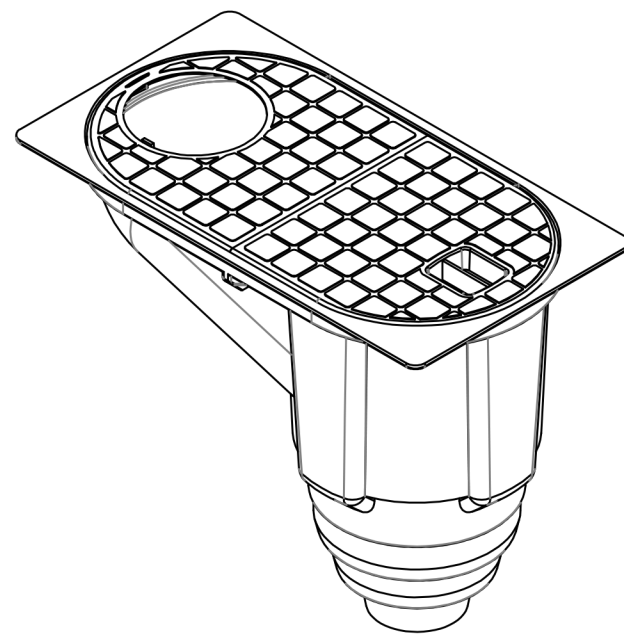
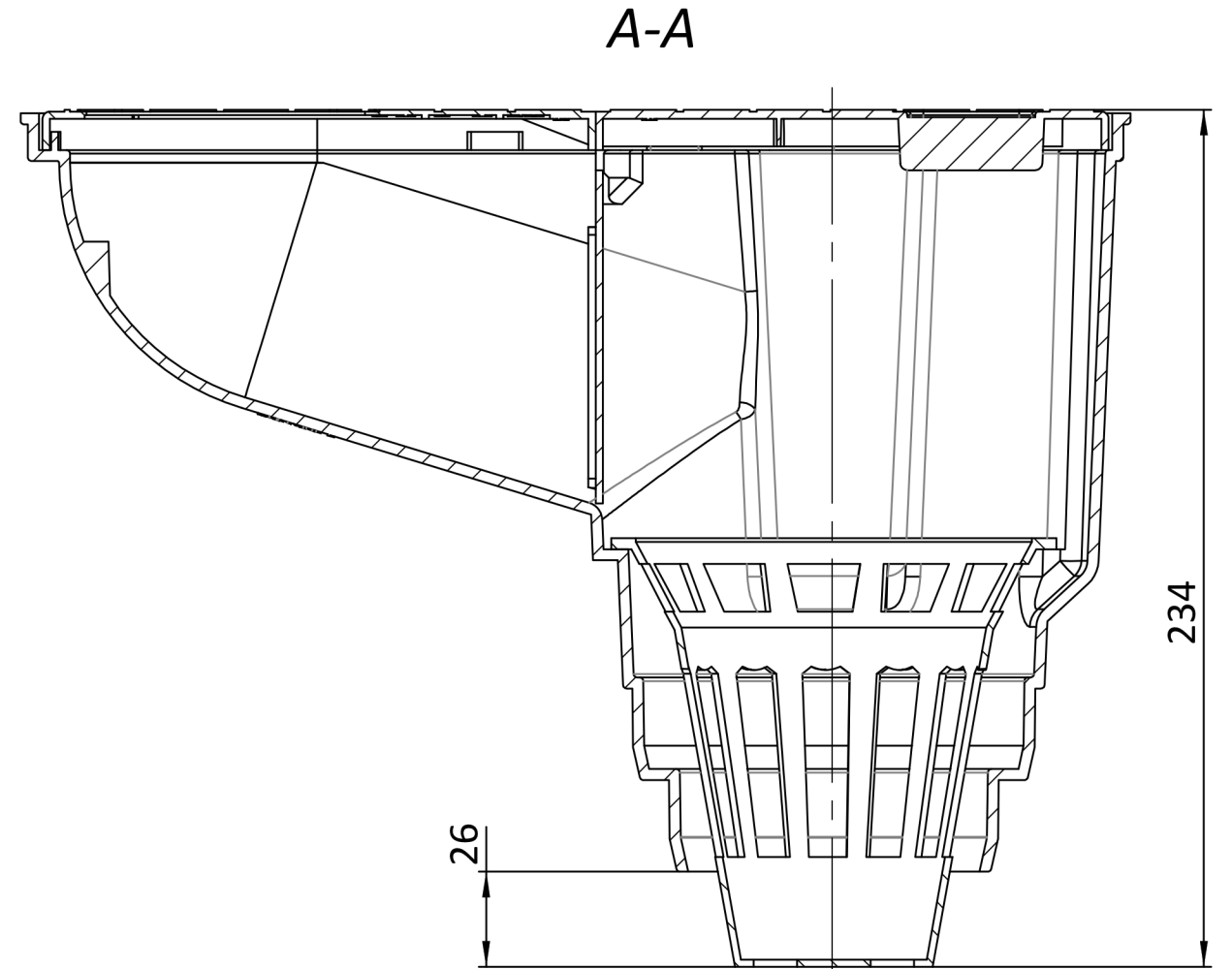
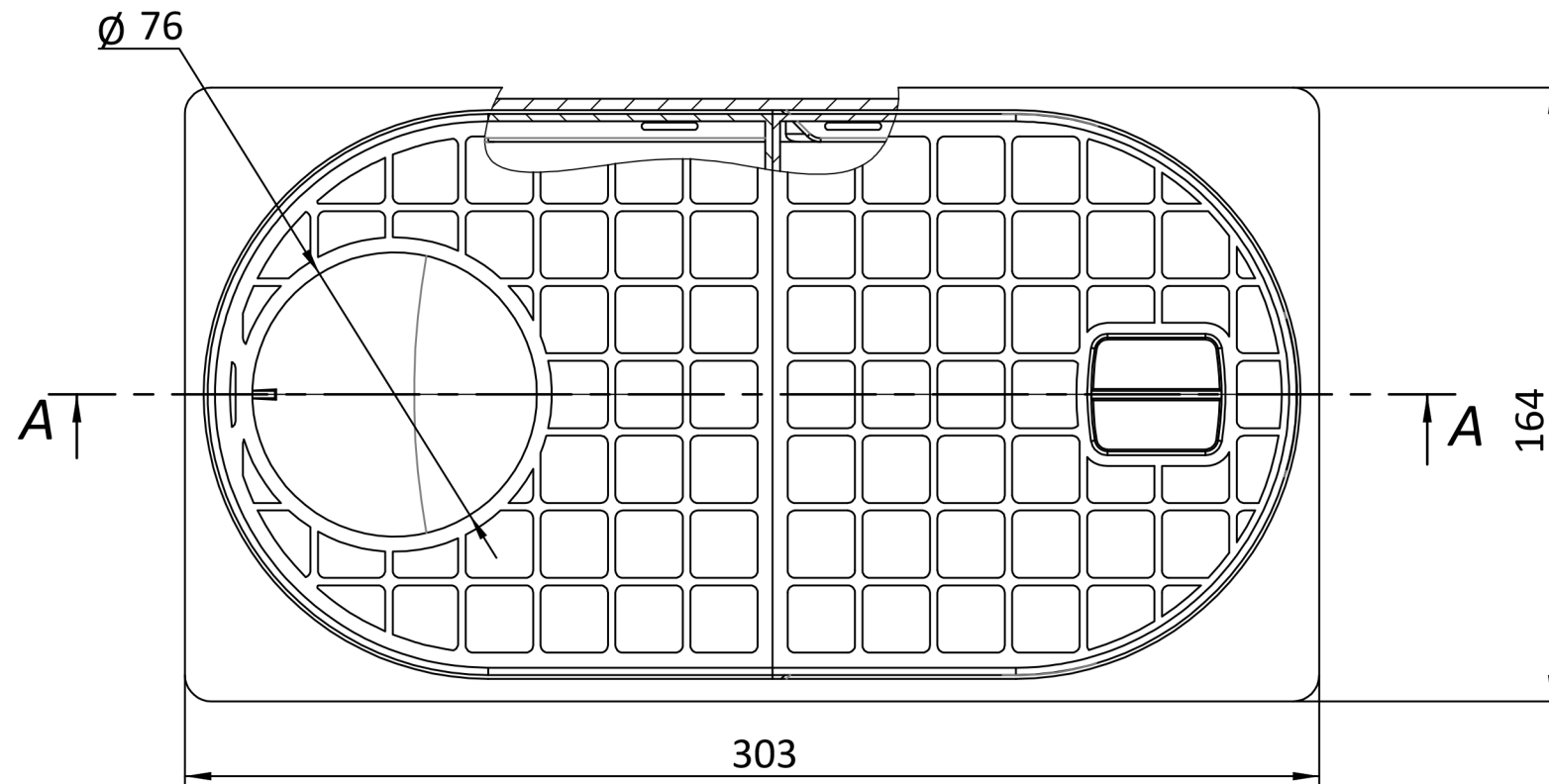


817009-G



Deviation of the actual weight of the nominal can be up to 10%

					Art. 817009			
					<b>Plastic Box with Vertical Gutter</b>			
					<b>817009-G</b>	Let.	Weight	Scale
					<b>Load Class A</b>		0.51	1:2
						Sheet	Sheets 1	
					Plastic	