

LV-10.14.10-PP-VCH 0882033

Primary Usage

Reference No.

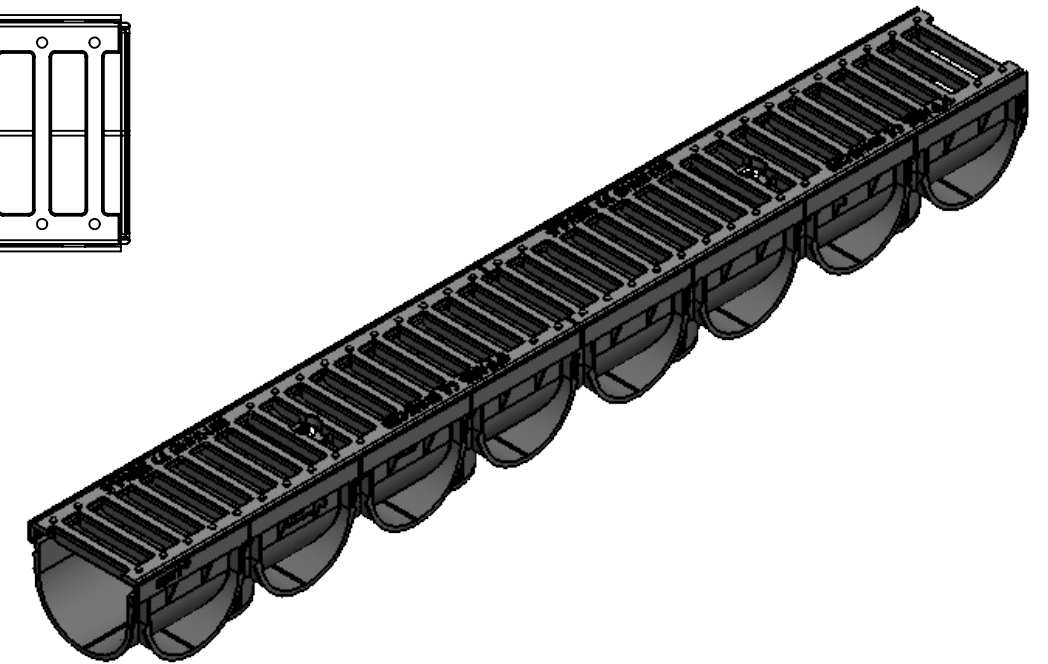
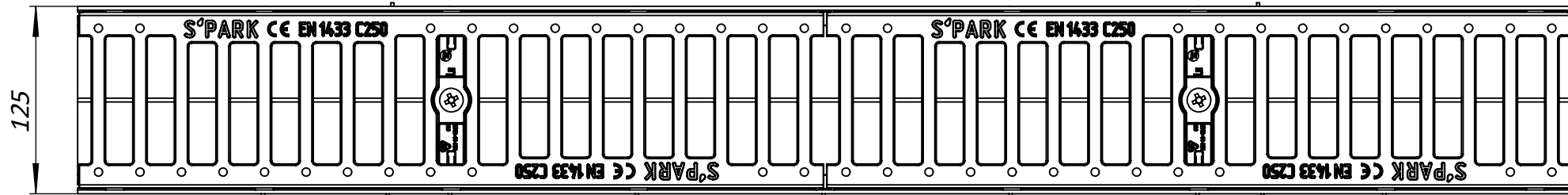
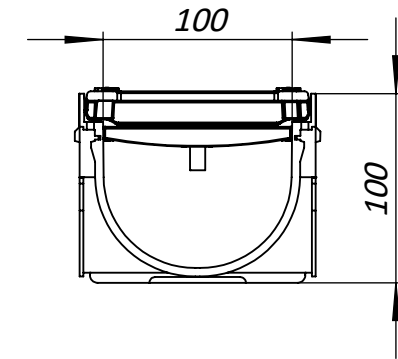
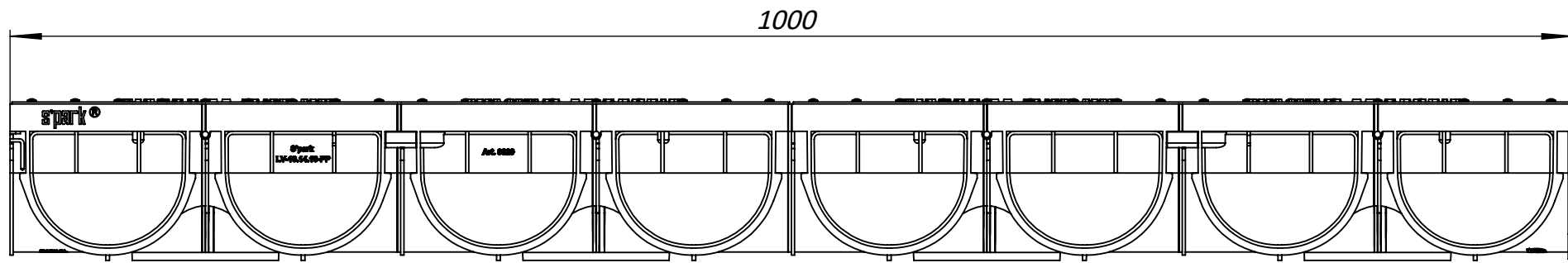
Sign. and date

Copy inv. No.

Repl. Inv. No.

Sign. and date

Orig. Inv. No.



1. Deviator of the actual weight of the nominal can be up to 10%

					Art. 0882033		
					<b>LV-10.14.10-PP-VCH 0882033</b>		
					Plastic Channel S'park with Ductile Cast Iron Grating		
					Load Class C		
					Let.	Weight	Scale
						5.6	1:4
					Sheet	Sheets 1	
					Plastic, Ductile Cast Iron		
					