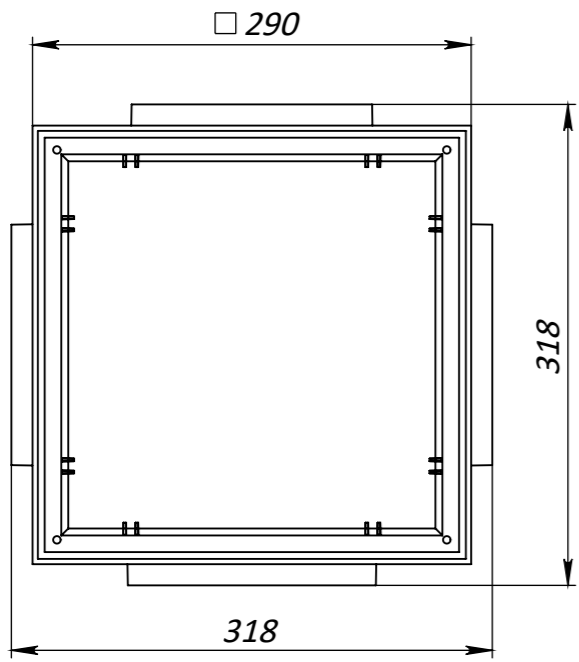
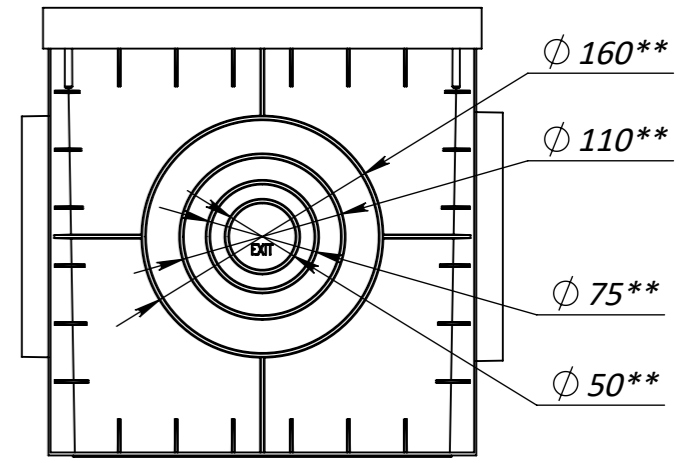
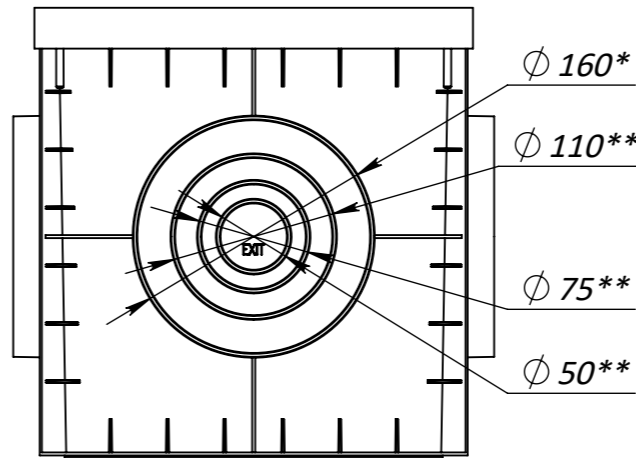
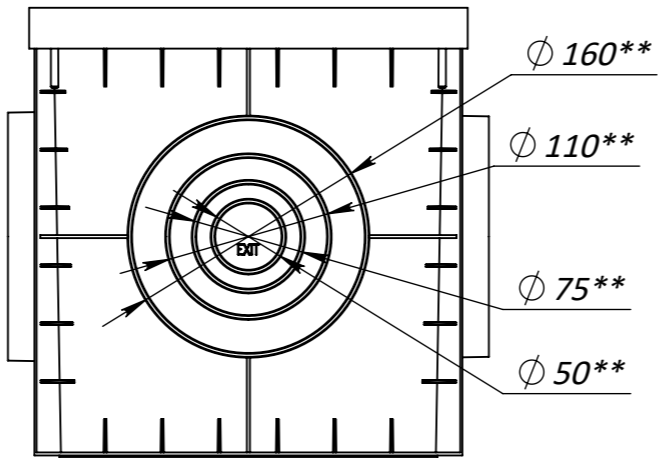
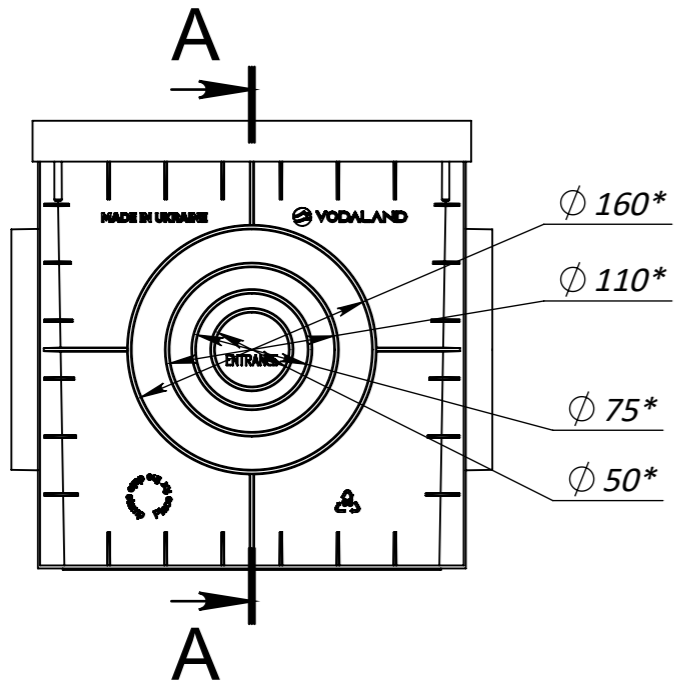


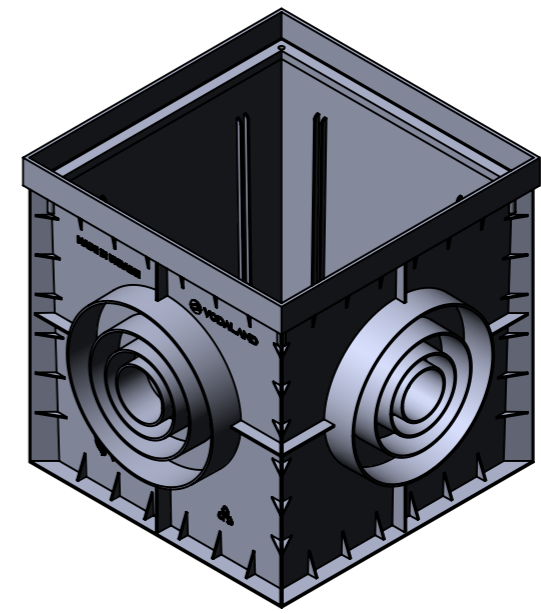
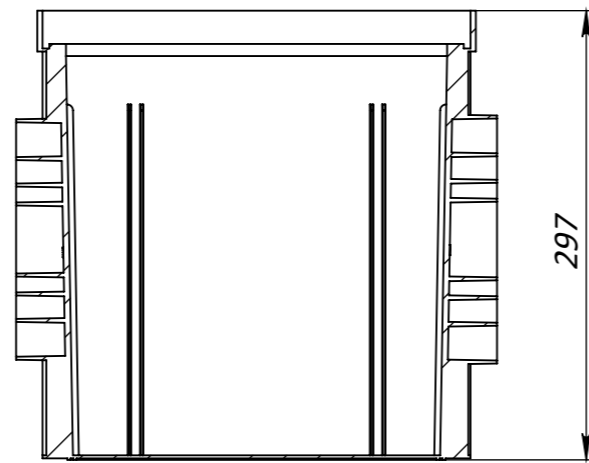
8 7 6 5 4 3 2 1

F
E
D
C
B
A

F
E
D
C
B
A



A-A



- 1. Deviation of the actual weight of the nominal can be up to 8%
- 2. * - inner dimensions of entrance outlets
- 3. ** - outer dimensions of exit outlets

UNLESS OTHERWISE SPECIFIED: DIMENSIONS ARE IN MILLIMETERS SURFACE FINISH: TOLERANCES: ISO 2768-c LINEAR: ANGULAR:			FINISH:		DO NOT SCALE DRAWING		REVISION		
					TITLE: Plastic catch basin Base 300x300 black				
DRAWN LYY			SIGNATURE		DATE 18.08.22		ARTICLE: 8370-N		
CHK'D LMK							A3		
APPV'D									
MFG									
Q.A					MATERIAL: Plastic		SCALE:1:5		
					WEIGHT: 1,35 kg		SHEET 1 OF 1		

8 7 6 5 4 3 2 1