

Primary Usage

Reference No.

Sign. and date

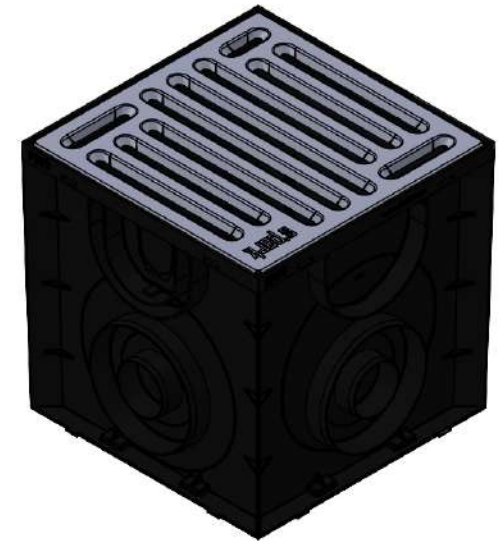
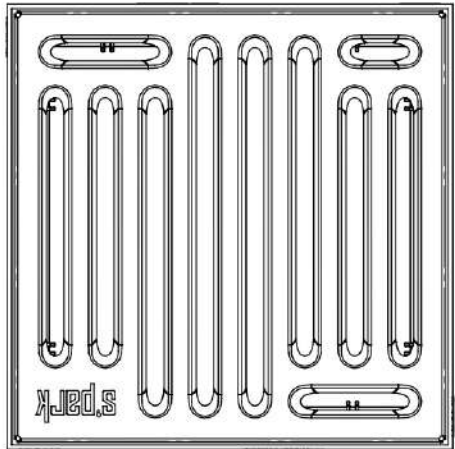
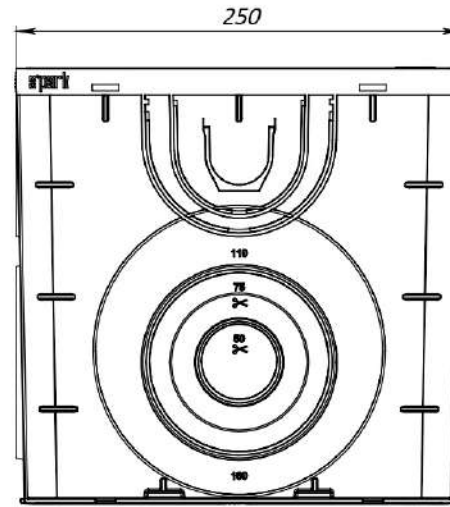
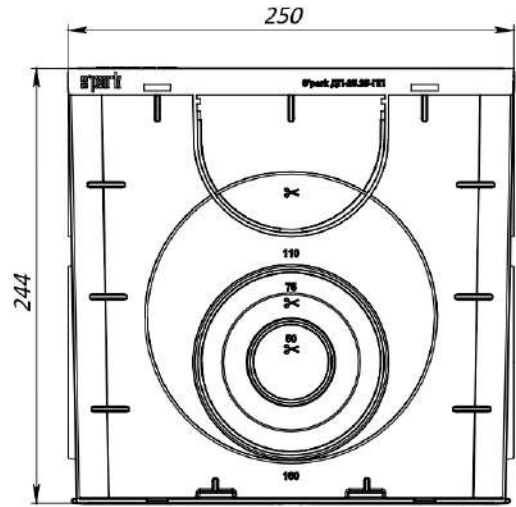
Copy inv. No.

Repl. Inv. No.

Sign. and date

Orig. Inv. No.

DP-25.25-PP-RV-OS 0860711



- 1. Area of water intake slots 308,2 sq cm
- 2. Deviation of the actual weight of the nominal can be up to 10%

				Art.	0860711
				DP-25.25-PP-RV-OS 0860711	
Rev.	Sheet	Doc. No.	Sign.	Data	
				26.06.20	
				Let.	Weight
					Scale
					1.53
					1:5
				Sheet	Sheets 1
				Plastic	