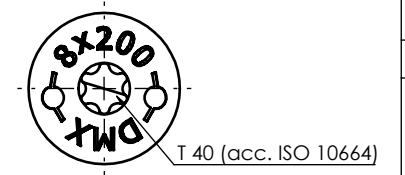
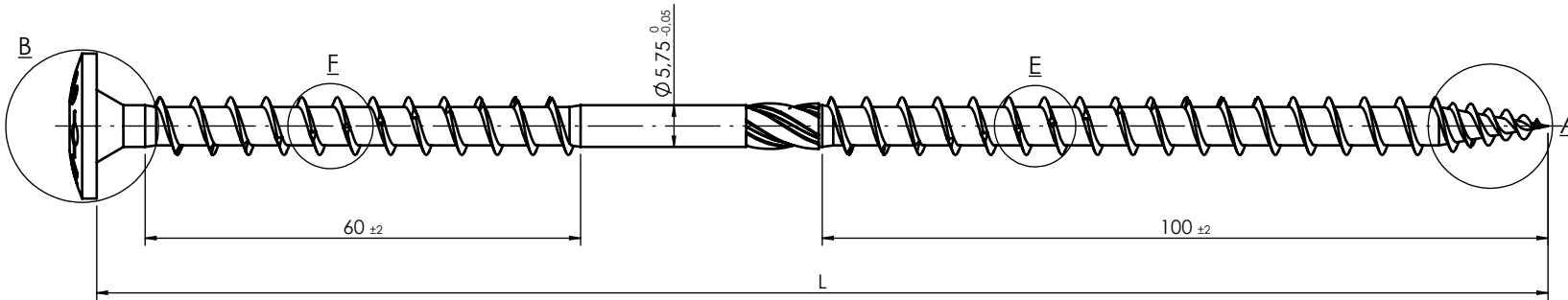
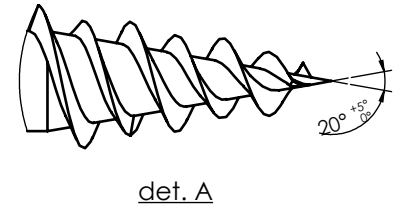
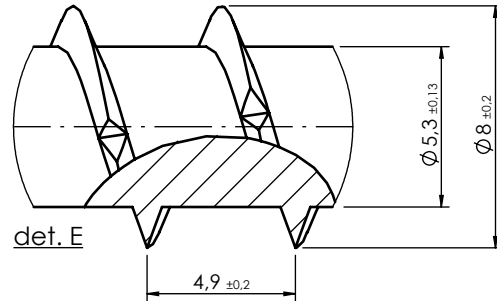
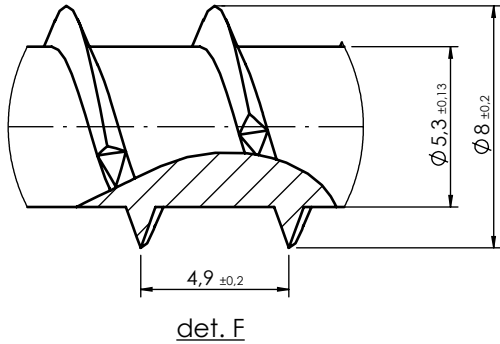
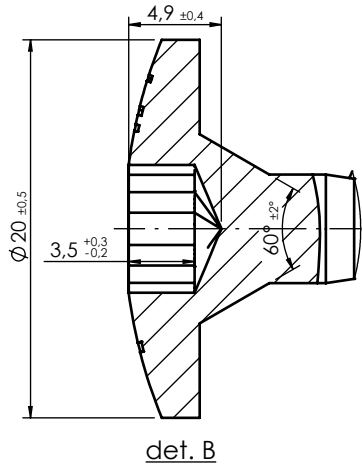


This document is the absolute property of DOMAX Sp. z o.o. This document must not be copied without the written permission of DOMAX Sp. z o.o. The contents thereof must not be disclosed to a third party nor be used for any unauthorized purpose. Contravention will be prosecuted.

Revision				
Rev.	Explanation	Date	Revised by	Approved by



Index	Name	L	Tolerance	Surface [dm ²]	Weight [g]
3320818	WKT 8x180	180	± 4,5	0,51	41,00
3320820	WKT 8x200	200	± 5	0,55	44,00
3320822	WKT 8x220	220	± 5,5	0,59	48,00
3320824	WKT 8x240	240	± 6	0,62	52,10
3320826	WKT 8x260	260	± 6,5	0,66	56,00
3320828	WKT 8x280	280	± 7	0,69	60,20
3320830	WKT 8x300	300	± 7,5	0,73	64,20
3320833	WKT 8x330	330	± 8,5	0,78	70,30
3320836	WKT 8x360	360	± 9	0,84	76,40
3320840	WKT 8x400	400	± 10	0,91	84,50
	WKT 8x450	450	± 10,5	1,00	94,60

Note:

1. General tolerances EN 22768 mK.
2. Surface Fe/Zn 12c acc. EN ISO 2081

Design	D. Kozłowski		Checked	-	Approved	-	Note	
Drawn	D. Kozłowski		Format	A4	Scale	1:1	Material	Rod $\Phi 5,75 - 20MnB4$
Date	16.10.2023		Insulation screw			Weight	-	
Index			DMX WKT 8			Sheet	1 / 1	Rev
								A

