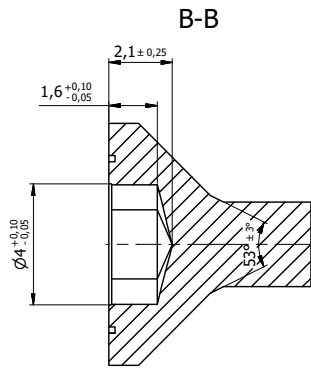
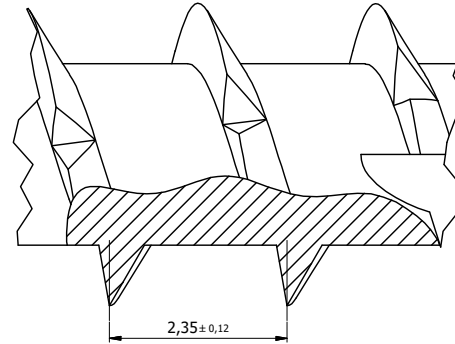


This document is the absolute property of DOMAX Sp. z o.o. This document must not be copied without the written permission of DOMAX Sp. z o.o. The contents thereof must not be disclosed to a third party nor be used for any unauthorized purpose. Contravention will be prosecuted.

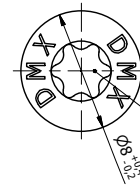
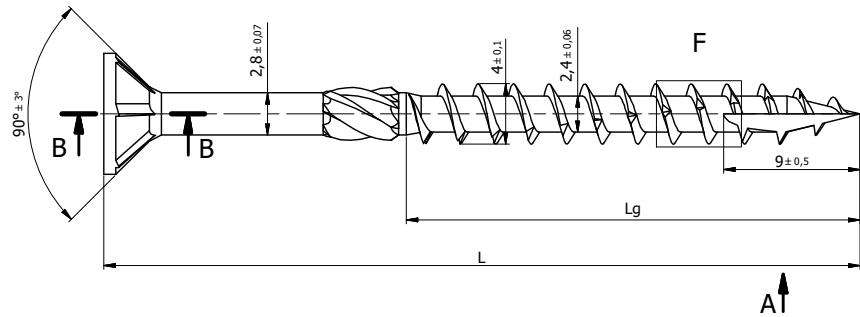
Rev	Explanation	Date	Revised by	Approved by



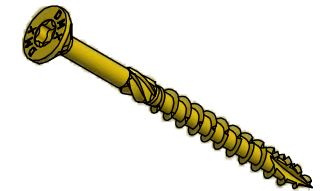
det.F



View A



T20 (acc. ISO 10664)



Note:
 1. General tolerances EN 22768 mK.
 2. Surface Fe/Zn 12c acc. EN ISO 2081

Index	Name	L [mm]	Tolerance	Lg [mm]	Tolerance	Surface [cm ²]	Weight [g]
310403	CS 40030	30	+/-0,75	18	+/-0,75	4,57	1,71
3104035	CS 40035	35		18		5,01	1,96
310404	CS 40040	40	+/-1	24	+/-1	5,7	2,16
3104045	CS 40045	45		30		6,4	2,37
310405	CS 40050	50		30		6,84	2,61
310406	CS 40060	60		35		7,93	3,07
310407	CS 40070	70		40		9,03	3,52
310408	CS 40080	80		40		9,91	4,01

-	Rod	-	Ø2,8	10B21	-	-
Item	Identification	Amt.	Specification	Raw material	Surface [dm ²]	Weight [kg]
Design	K. Rytlewski	Checked	W. Balsewicz	Approved	Code	CS-F
Drawn	K. Rytlewski					
Index	12.05.2016					Sheet
Date	Date					1/1
domax		Screw CS-F 4				Rev
DOMAX Sp. z o.o.		CS-F 4				