
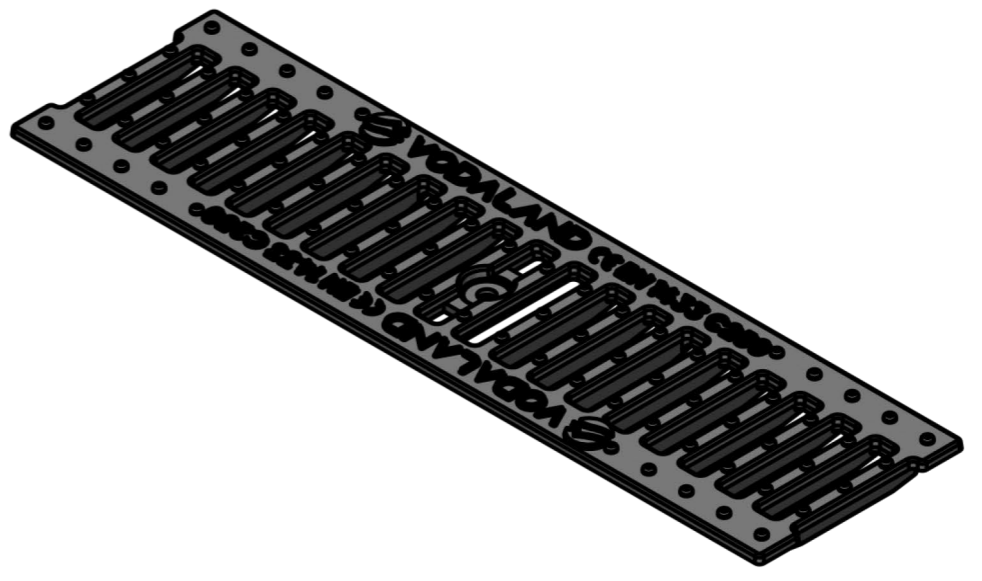
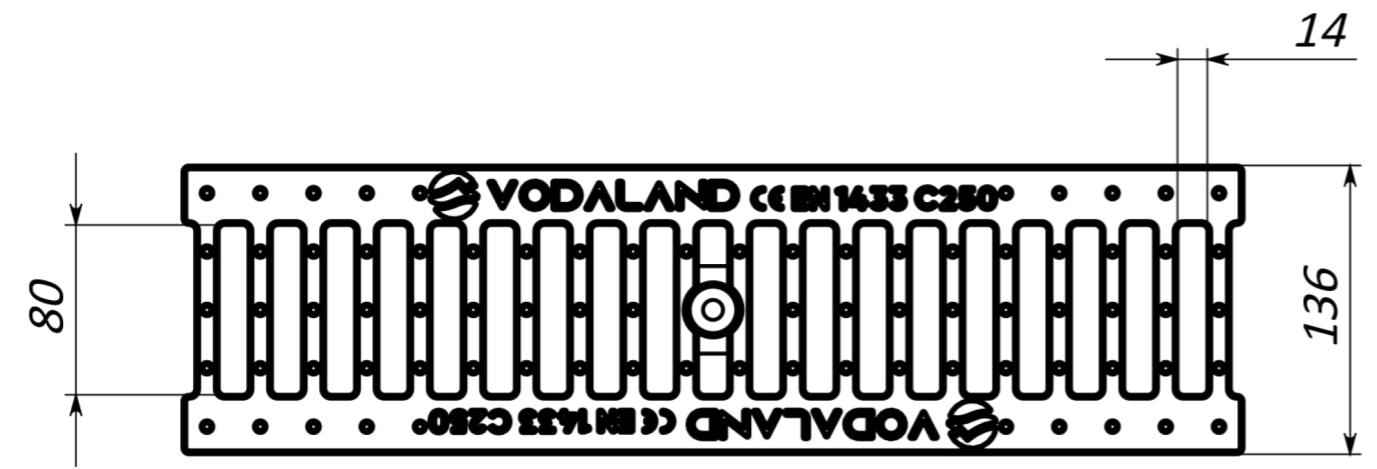
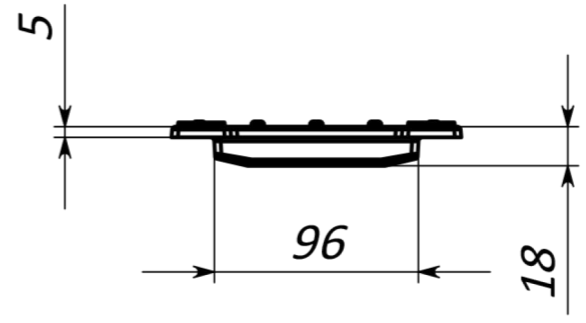
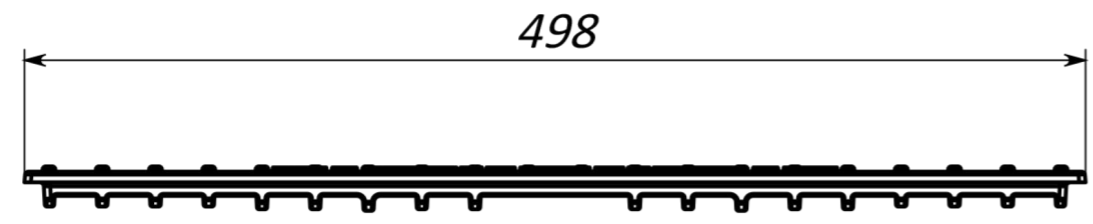


1. * Template for connecting a channel with a height of 125 mm
2. Dimensions for reference
3. Delivery and packaging are carried out in accordance with the terms of the contract
4. The manufacturer reserves the right, without notice to the consumer, to make changes to the design of the products for improvement of their technological and operational parameters, which will not affect the quality and properties of the product
5. Deviation of the actual weight of the nominal can be up to 10%.

| | | | | | | | | | | |
|--|--|--|-------------|--|------------------------------------|--|---|--|---|--|
| UNLESS OTHERWISE SPECIFIED: DIMENSIONS ARE IN MILLIMETERS SURFACE FINISH: TOLERANCES: ISO 2768 - C LINEAR: ANGULAR: | | | FINISH: | | DEBURR AND BREAK SHARP EDGES | | DO NOT SCALE DRAWING | | REVISION | |
| | | | | | | |  | | | |
| | | | | | | | | | TITLE: | |
| DRAWN | | | Kozak | | 14.06.23 | | | | Concrete Sand Trap Base DN100 with plastic inserts with outlet 110 C250 | |
| CHK'D | | | Kyselytsia | | | | | | | |
| APPV'D | | | Malynovskiy | | | | | | | |
| MFG | | | | | | | | | | |
| Q.A | | | | | | | MATERIAL: | | Concrete | |
| | | | | | | | WEIGHT: 29.91 kg | | SCALE: 1:5 | |
| | | | | | | | ARTICLE: | | 4080-1-P110 | |
| | | | | | | | | | A3 | |
| | | | | | | | | | SHEET 1 OF 1 | |

6 5 4 3 2 1



1. Powierzchnia przelotowa wody 210.32 cm²
2. Różnica wagi nominalnej może wynosić maksymalnie 10%

| | | | | | | | |
|---|--|--------------|--|--|--|-------------------|--|
| Chyba, że napisane inaczej: Wymiary są w milimetrach Wykończenie powierzchniowe: Tolerancja: ISO 2768 - C Liniowy: Kątowy: | | WYKOŃCZENIE: | | NIE SKALOWAĆ RYSUNKU | | REWIZJA | |
| | | | | | | | |
| | | | | TYTUŁ: Ruszt żeliwny Base DN100 szczelinowy C250 antypoślizgowy | | | |
| | | | | Klasa obciążenia: C250 | | | |
| | | | | MATERIAŁ: Żeliwo | | Artykuł: 20303 | |
| | | | | WAGA: 2.68 kg | | STRONA 1 Z 1 | |
| | | | | | | A4 | |

6 5 4 3 2 1

D
C
B
A

D
C
B
A